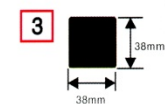
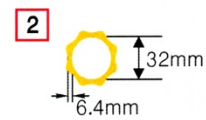
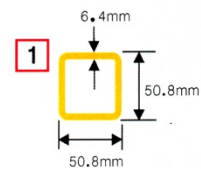
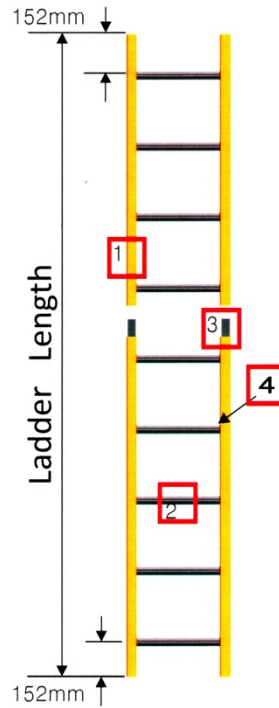
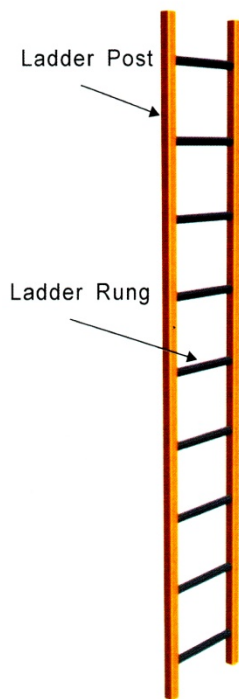


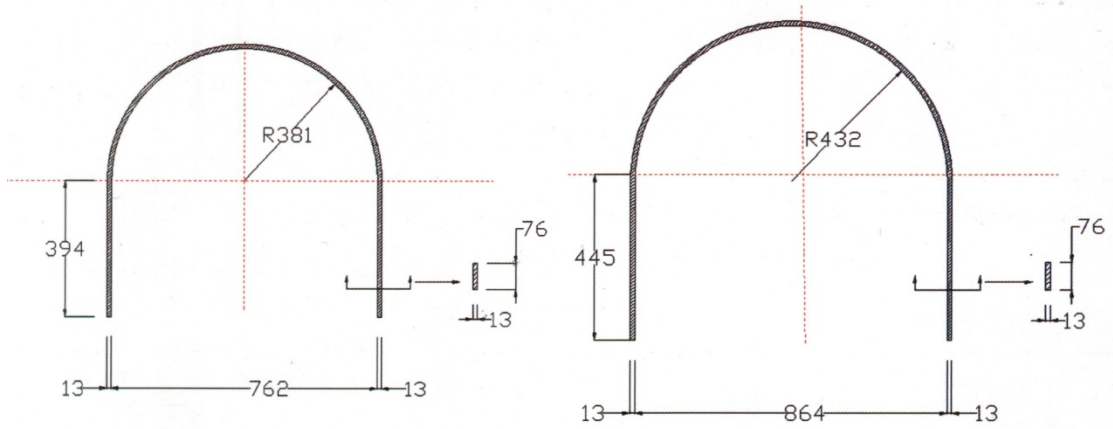
Description	Dimension
Maximum length without splice	7300mm
Ladder Post Splice, Solid square bar	38x38mm, 200mm long
Maximum ladder length with cage	10200mm
Outside width (outside rail to rail)	500mm
Rung spacing (center to center)	300mm
Outside diameter of rung, fluted tube	32mm
Wall thickness of rung	6.4mm
Ladder post square tube	50.8x50.8x6.4mm
Ladder rung gasket	Black rubber
Rivet to fix rungs to ladder post	4x20mm



Cage

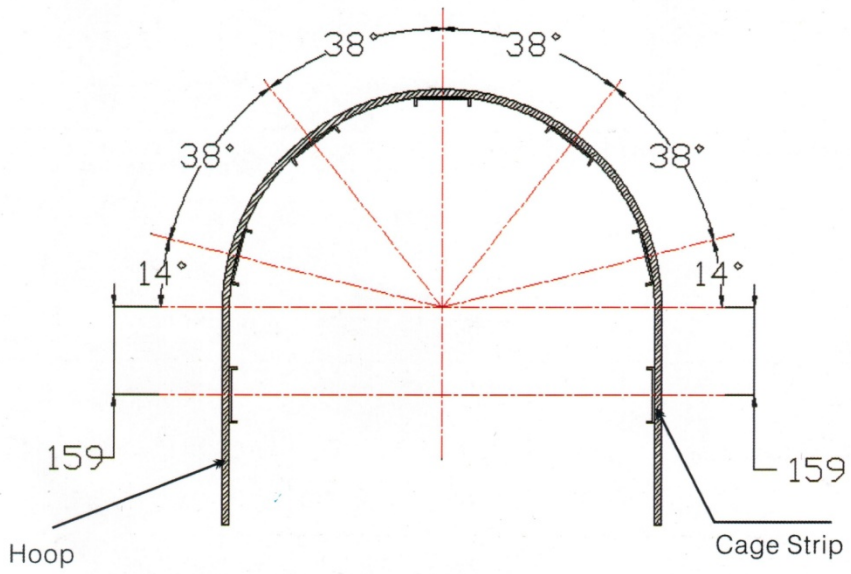
Product	Description
Top/Intermediate Ladder Hoop	76mm wide x 13mm thick, hand lay-up with predrilled holes (with necessary bolt assemblies)
Bottom Ladder Hoop	76mm wide x 13mm thick, hand lay-up with predrilled holes (with necessary bolt assemblies)
Hoop Bracket	75x140mm, 10mm thick, U Shape. Predrilled holes (with necessary bolt assemblies)
Cage Strip	C Channel, 50x14x3mm, made by pultrusion
Bottom Wall Mount Bracket	76x200x9.5mm angle, 457mm long, made by pultrusion. Two per set(with necessary bolt assemblies)
Wall Bracket	76x200x9.5mm angle, 152mm long, made by pultrusion. 180mm from wall to center of rung. Two per set(with necessary bolt assemblies)
Floor Mount	102x102x9.5mm angle, made by pultrusion. Two per set(with necessary bolt assemblies)
Foot Base Mount (Option)	Foot base made by BMC

(Unit:mm)



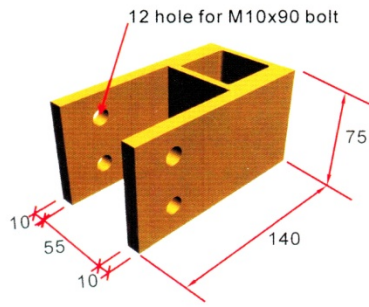
Top/Intermediate Ladder Hoop Detail

Bottom Ladder Hoop Detail

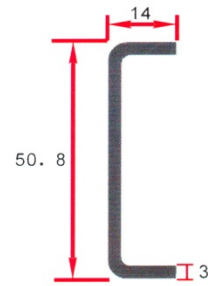


Cage Strip Location Plan

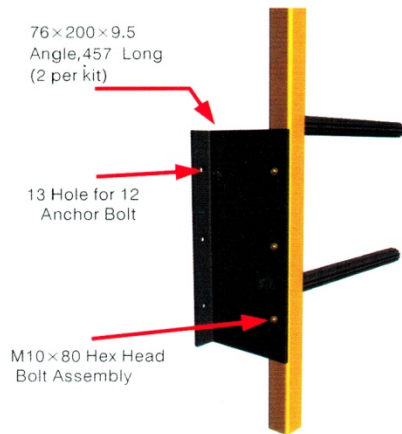
(Unit:mm)



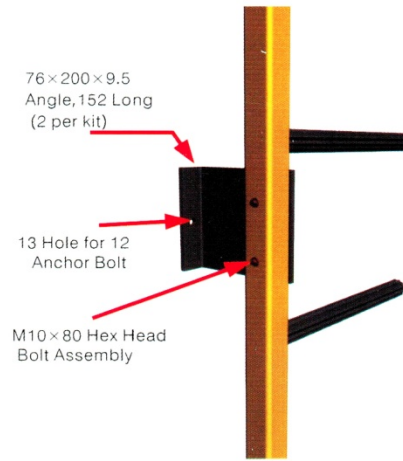
Hoop Bracket
10×75×140



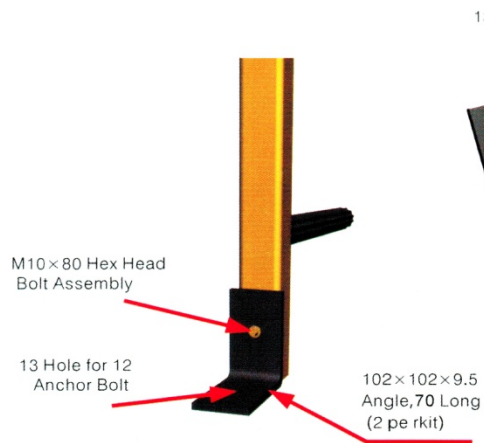
Cage Strip



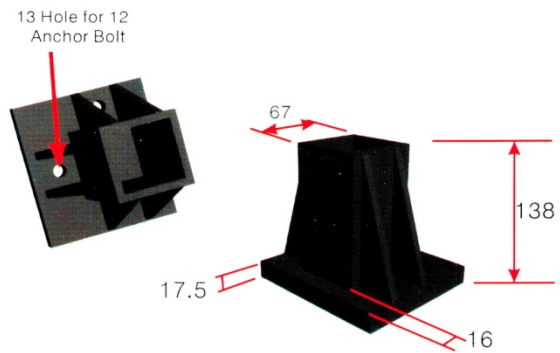
Bottom Wall Mount Bracket



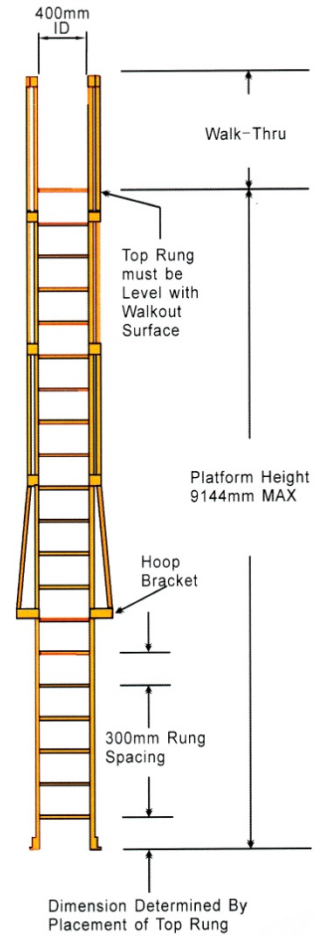
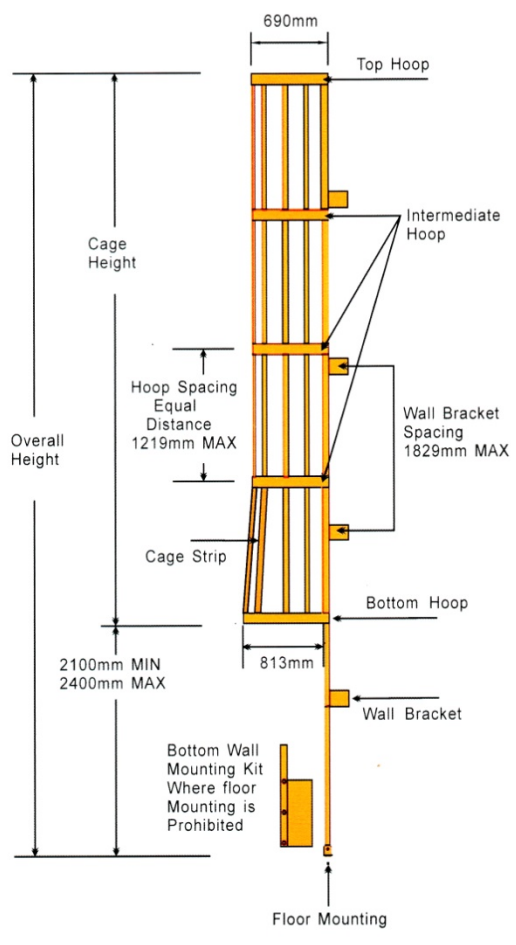
Wall Bracket



Floor Mount

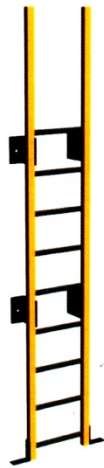


**Option:Foot base for
Floor Mount**





Ladder



Ladder with 457mm Walk-thru



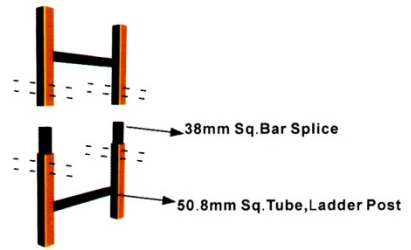
Ladder with 610mm Walk-thru



Ladder with Walk-thru and Handrail Connections to Floor



Ladder with Walk-thru and Handrail Connections



38mm Sq.Bar Splice

50.8mm Sq.Tube,Ladder Post